



WARRANTY
5
YEARS

HOSE REELS

CE Made in Italy

SERIES 250 300

Technical characteristics

Hose

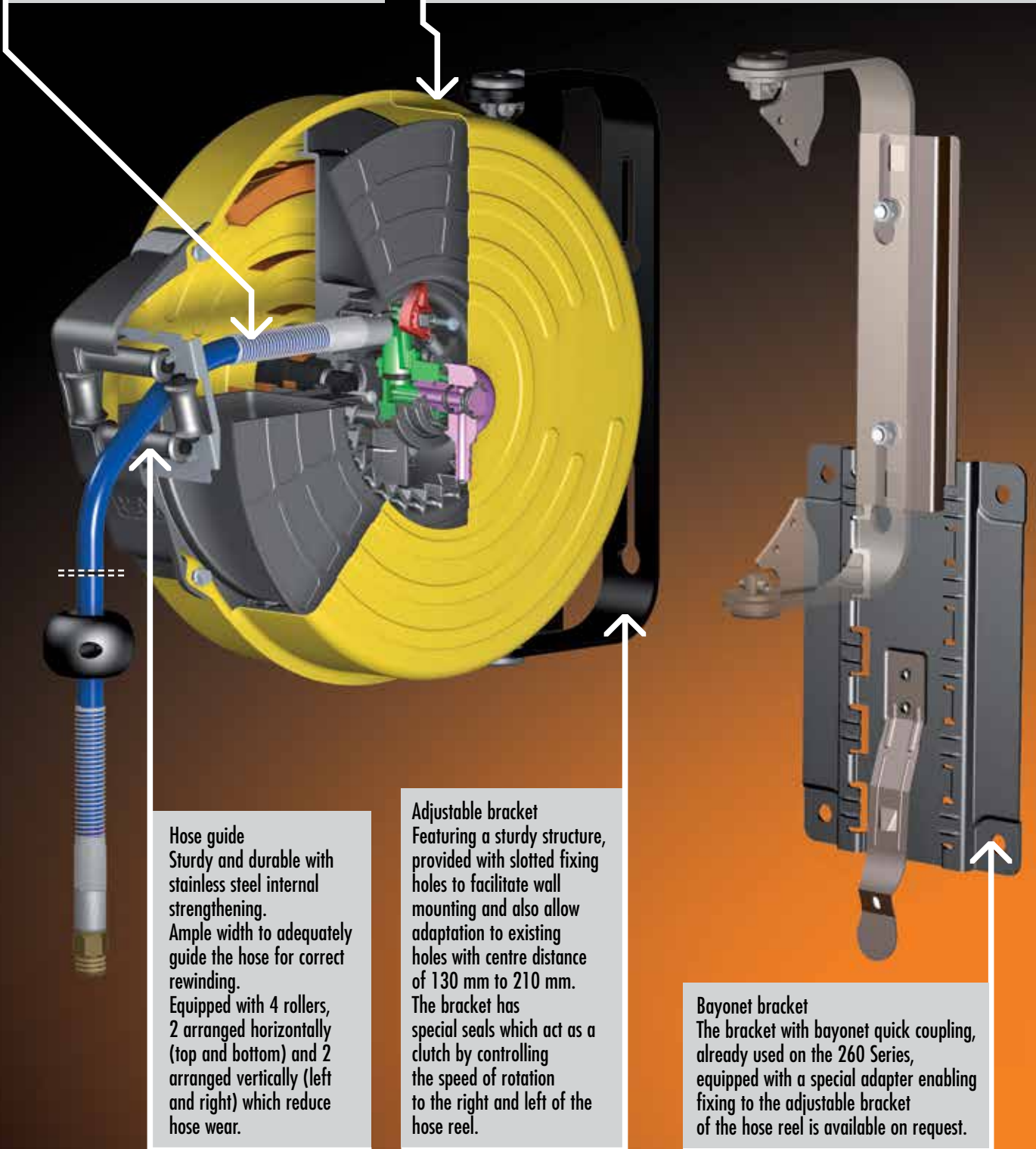
Polyurethane hose provided with hose stop and exit swivel that facilitates the use of pneumatic equipment (inflating guns, screwdrivers, etc.) to which it is connected. Two metal coils positioned at the two ends of the hose are a safe strengthening of the actual structure.

Resistant to aggressive acids and suitable for use with water up to 70°C.

Structure

Designed to last, it still allows easy removal and refitting of all parts in case of maintenance. Available in two versions:

- in steel coated with polyester resins, preceded by various stages of washing and degreasing the material (even with nanotechnologies) that double the resistance of the coating compared to traditional methods
- in AISI 304 stainless steel with electrolytic polishing that improves the resistance of the material in aggressive atmospheres, while improving the appearance of the product



Hose guide

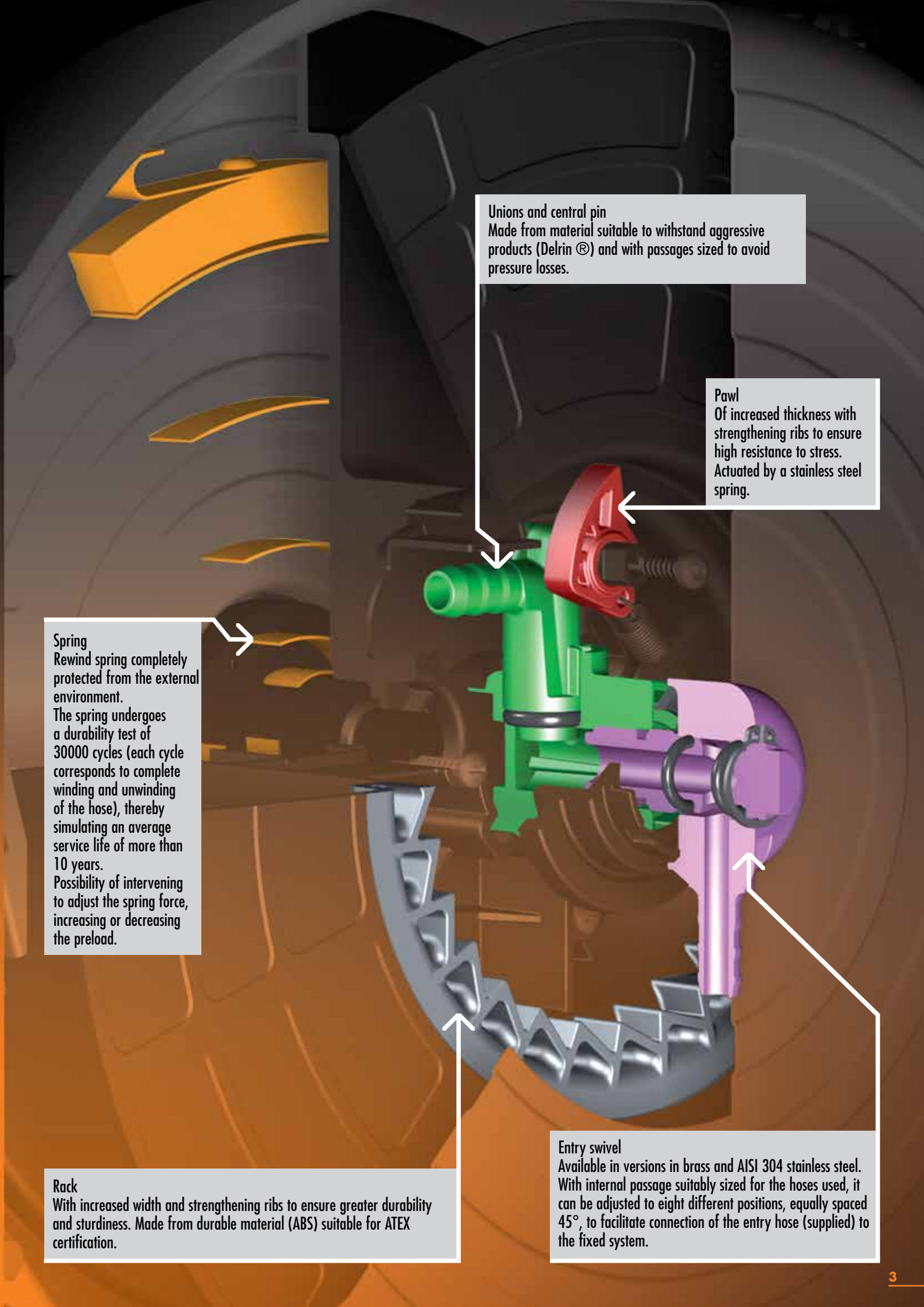
Sturdy and durable with stainless steel internal strengthening. Ample width to adequately guide the hose for correct rewinding. Equipped with 4 rollers, 2 arranged horizontally (top and bottom) and 2 arranged vertically (left and right) which reduce hose wear.

Adjustable bracket

Featuring a sturdy structure, provided with slotted fixing holes to facilitate wall mounting and also allow adaptation to existing holes with centre distance of 130 mm to 210 mm. The bracket has special seals which act as a clutch by controlling the speed of rotation to the right and left of the hose reel.

Bayonet bracket

The bracket with bayonet quick coupling, already used on the 260 Series, equipped with a special adapter enabling fixing to the adjustable bracket of the hose reel is available on request.



Unions and central pin
Made from material suitable to withstand aggressive products (Delrin®) and with passages sized to avoid pressure losses.

Pawl
Of increased thickness with strengthening ribs to ensure high resistance to stress. Actuated by a stainless steel spring.

Spring
Rewind spring completely protected from the external environment. The spring undergoes a durability test of 30000 cycles (each cycle corresponds to complete winding and unwinding of the hose), thereby simulating an average service life of more than 10 years. Possibility of intervening to adjust the spring force, increasing or decreasing the preload.

Rack
With increased width and strengthening ribs to ensure greater durability and sturdiness. Made from durable material (ABS) suitable for ATEX certification.

Entry swivel
Available in versions in brass and AISI 304 stainless steel. With internal passage suitably sized for the hoses used, it can be adjusted to eight different positions, equally spaced 45°, to facilitate connection of the entry hose (supplied) to the fixed system.

**S. 250 - 300
ENCLOSED
SWIVELLING**

**PAINTED
STEEL**

In accordance with directive



P/N	Hose supplied	Connection		Hose supplied	Connection	
		inlet	outlet		inlet	outlet
42608/11	12 m - 8x12 (911/12)	M 3/8"G	M 1/4"G			
42608/12	10 m - 10x14,5 (921/10)	M 3/8"G	M 3/8"G			
43108/12				12 m - 8x12 (911/12)	M 3/8"G	M 1/4"G
43108/13				15 m - 8x12 (911/16)	M 3/8"G	M 1/4"G
43108/14				20 m - 8x12 (911/21)	M 3/8"G	M 1/4"G
43108/15				12 m - 10x14,5 (921/12)	M 3/8"G	M 3/8"G
43108/16				15 m - 10x14,5 (921/16)	M 3/8"G	M 3/8"G

Supplied with:

- outlet swivel joint
- polyurethane hose (blue) with protection spring on connection
- brass fitting
- brass swivel joint
- "viton" seals
- inlet connection 1,5 m



COLORI

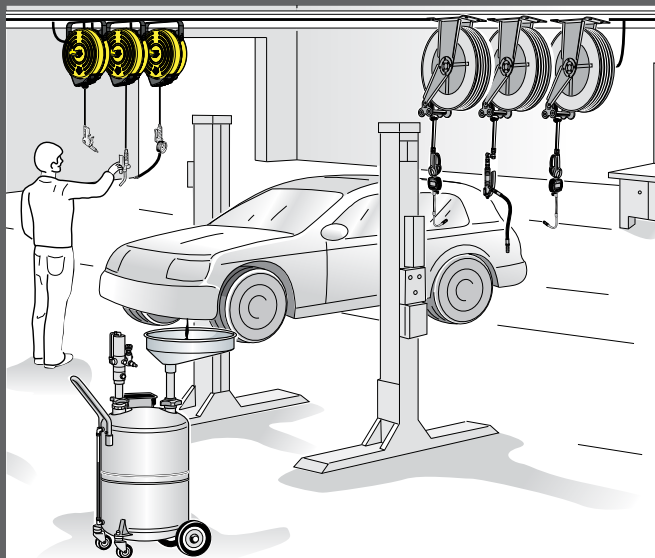
standard
RAL1004 yellow



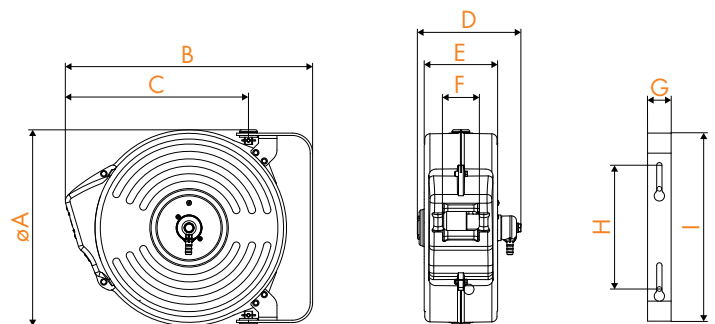
optional
RAL7035 gray



Add the /C1 suffix to the P/N to order the gray color



OVERALL DIMENSIONS (mm)



Series	A	B	C	D	E	F	G	H	I
250	281	338	230	173	124	62	40	from 130 to 210	319
300	330	416	308	174	124	62	40	from 130 to 210	319

Water - Detergent 20 bar - 70 °C

**S. 250 - 300
ENCLOSED
SWIVELLING**

**STAINLESS
STEEL AISI
304**

In accordance with directive



P/N	Hose supplied	Connection		Hose supplied	Connection	
		inlet	outlet		inlet	outlet
42708/11	12 m - 8x12 (811/12)	M 3/8"G	M 1/4"G			
42708/12	10 m - 10x14,5 (821/10)	M 3/8"G	M 3/8"G			
43208/12				12 m - 8x12 (811/12)	M 3/8"G	M 1/4"G
43208/13				15 m - 8x12 (811/16)	M 3/8"G	M 1/4"G
43208/14				20 m - 8x12 (811/21)	M 3/8"G	M 1/4"G
43208/15				12 m - 10x14,5 (821/12)	M 3/8"G	M 3/8"G
43208/16				15 m - 10x14,5 (821/16)	M 3/8"G	M 3/8"G

Supplied with:

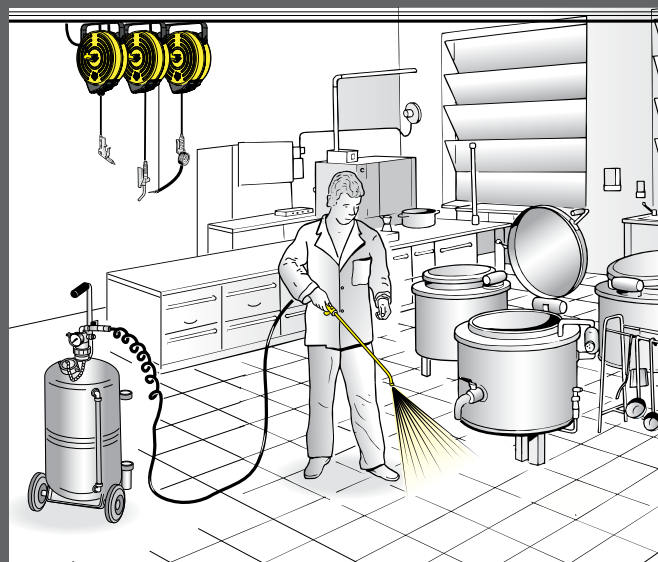
- outlet swivel joint
- polyurethane hose (blue) with protection spring on connection
- stainless steel AISI 304 fitting
- stainless steel AISI 304 swivel joint
- "viton" seals
- inlet connection 1,5 m



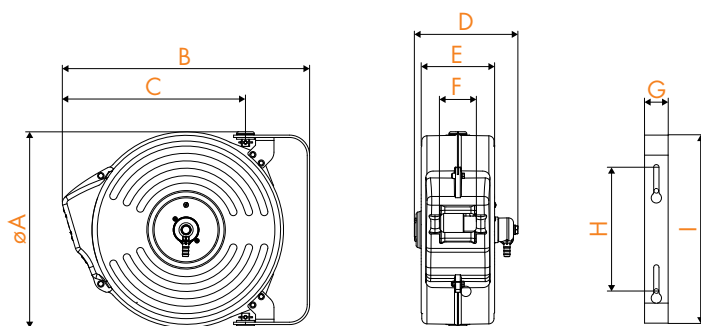
SPECIAL HOSE

Swivel joint to facilitate the use of air-operated tools

Hose anti-bending spring



OVERALL DIMENSIONS (mm)



Series	A	B	C	D	E	F	G	H	I
250	281	338	230	173	124	62	40	from 130 to 210	319
300	330	416	308	174	124	62	40	from 130 to 210	319

SERVICE COLUMNS S. 250

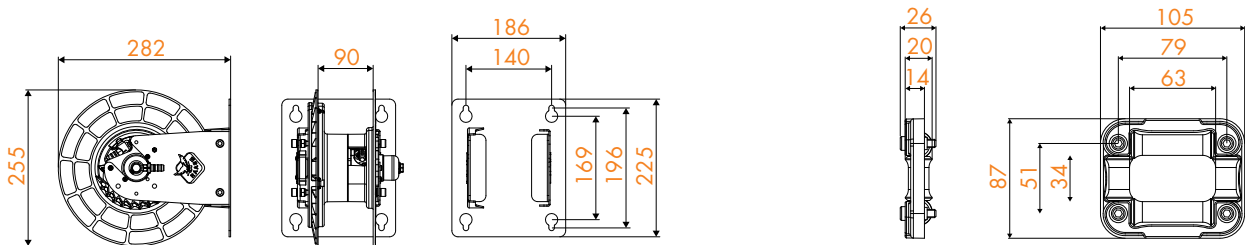
ZINC PLATED STEEL WITH ABS DRUM

In accordance with directive



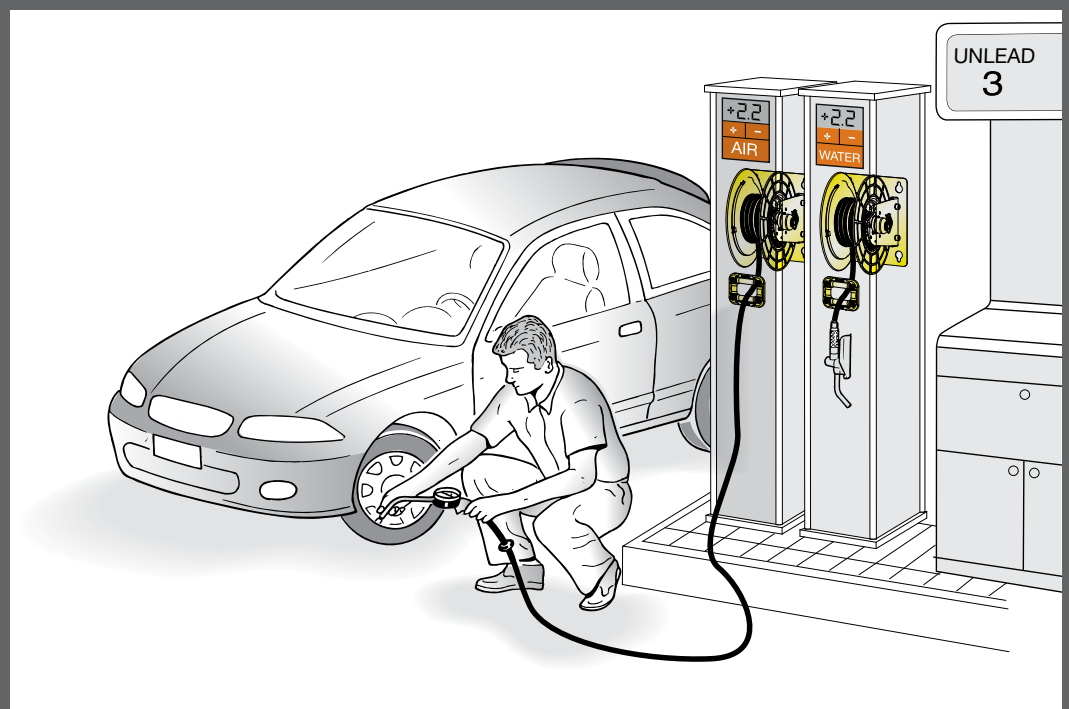
P/N	Hose supplied	Connection		P/N 260/05
		inlet	outlet	
42438/11	12m - 8x12 (911/12)	M 3/8"G	M 1/4"G	Hose guide with 4 opposed rollers for application of service columns in technopolymer
42438/12	10m - 10x14,5 (921/10)	M 3/8"G	M 3/8"G	

OVERALL DIMENSIONS (mm)



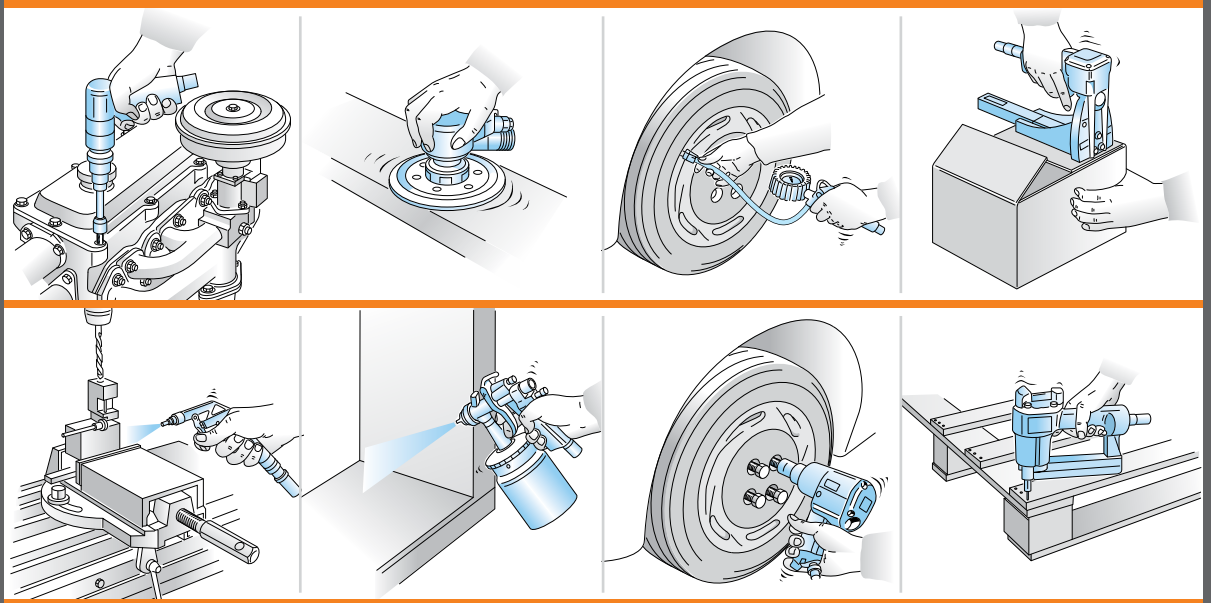
Supplied with:

- outlet swivel joint
- polyurethane hose (blue) with protection spring on connection
- brass fitting
- brass swivel joint
- "viton" seals
- inlet connection 1,5 m



EXAMPLE OF USE

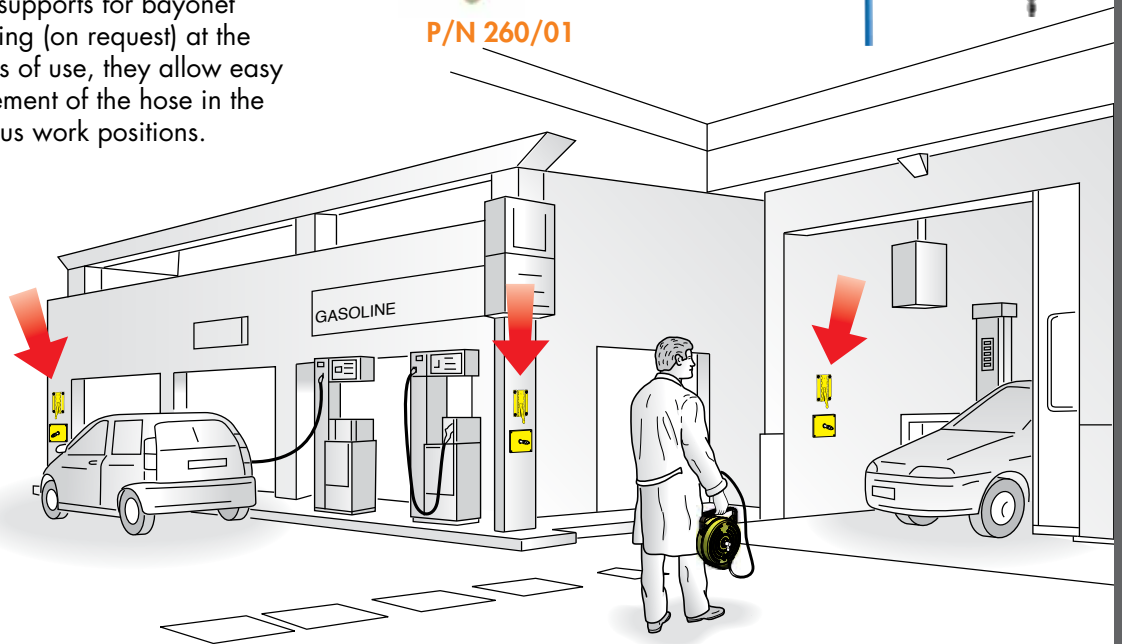
ECODORA has created a wide range of industrial hose reels to meet the most complex needs in various application sectors such as: **industry, agriculture, depots and refineries, mining, aviation, shipyards, fire brigades, automotive, etc.**



P/N 260/01

Wall support for bayonet hooking in painted steel (on request for series 250-300 adjustable).

With the placing of several wall supports for bayonet hooking (on request) at the points of use, they allow easy movement of the hose in the various work positions.





Ecodora S.r.l.
Vicenza - Italy
tel. +39 0424 570891
fax +39 0424 571354
www.ecodora.com
info@ecodora.com

CE Made in Italy